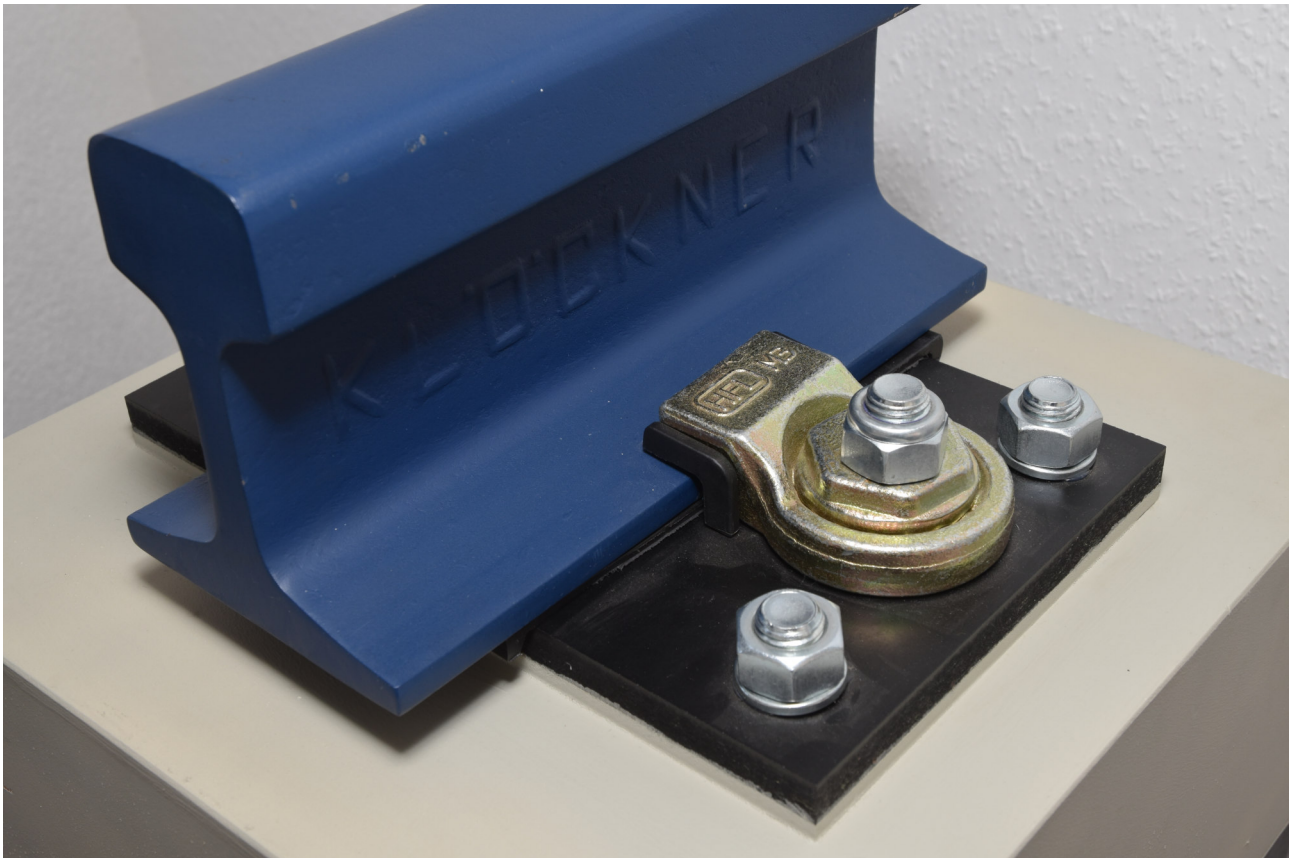


System Lothes Rail Clips

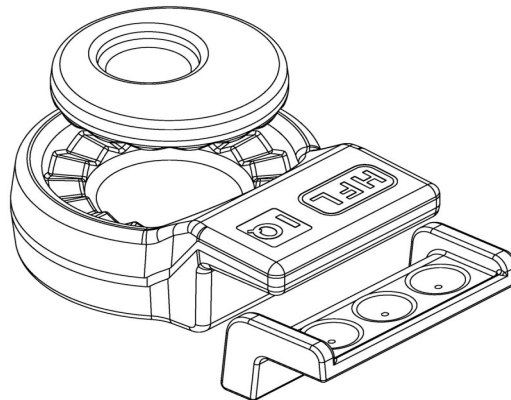
Individual fastening solutions on steel or
concrete



For detailed informations refer to www.hfl.de
or just contact us on info@hfl.de.

LothEx

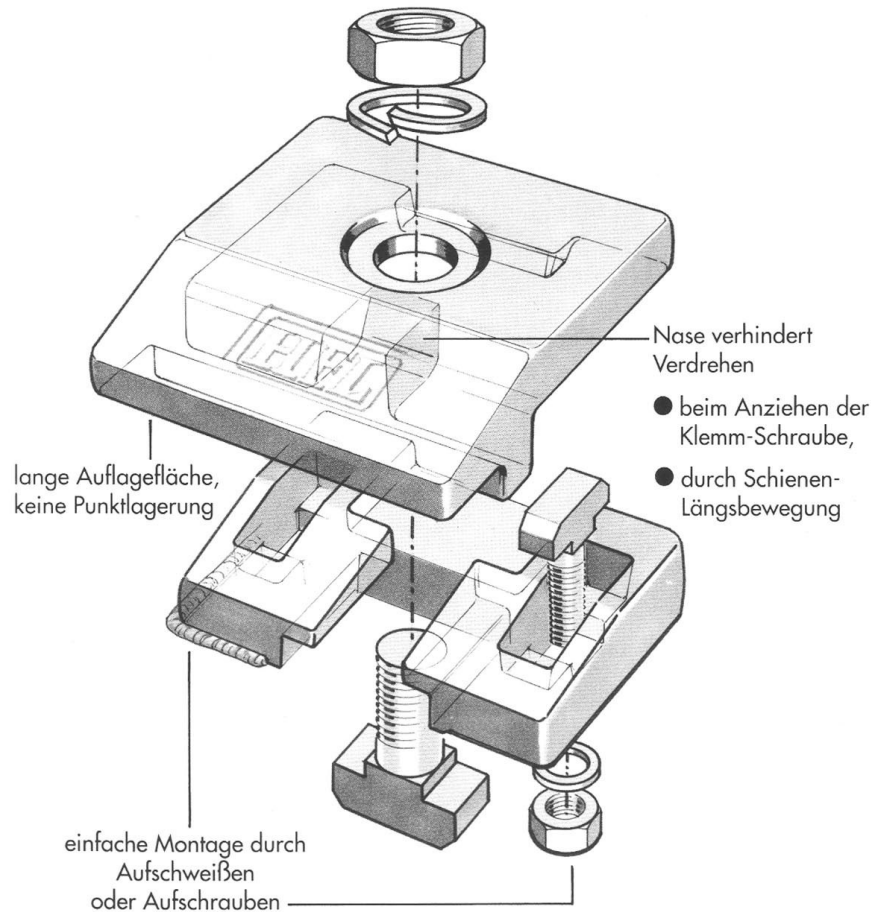
**Adjustable rail clip with form fitted rubber cap
- Smart fixing of crane rails -**



- ✓ universal, in four sizes for all types of rails
- ✓ easy mounting
- ✓ reliable positioned by teathed washer
- ✓ form fitting side guide
- ✓ lateral adjustable
- ✓ reduces noise and vibrations in all axes
- ✓ completely electrical insulating
- ✓ chemical stability against oil and grease
- ✓ reliable quality Made in Germany
- ✓ **Approved by EBA, German railways authority**

Vario

Rail fastening for crane rails on steel

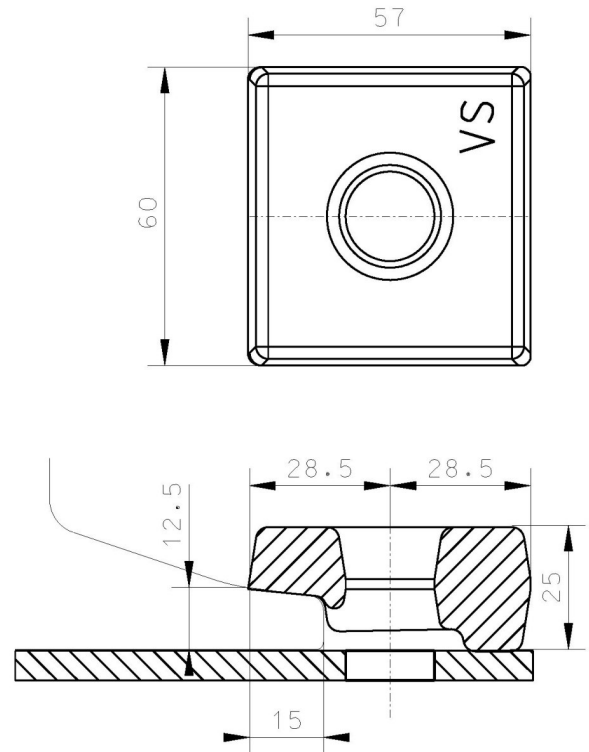


for cranes, conveyors and high bay warehouses

- Easy mounting by bolt or welding
- lateral adjustable, even after years
- Unbearable flat: convenient clearance i.e. for side guide rollers
- draws loads in all directions, even axial
- continuous elastic layer under rail

clip VS

- Simply reliable
- Made of forged steel S355
- bore optional Ø 18mm or 22mm
- suitable for rails
 S33, S41, S49, UIC54, S54,
 UIC60, A55 – A100 etc.



clip VS mini

- Simply reliable
- Made of forged steel S355
- bore Ø 13mm and 17mm
- suitable for light rails i.e.
 S10, S14, S18, S20, S24,
 S30, A45 etc.

