

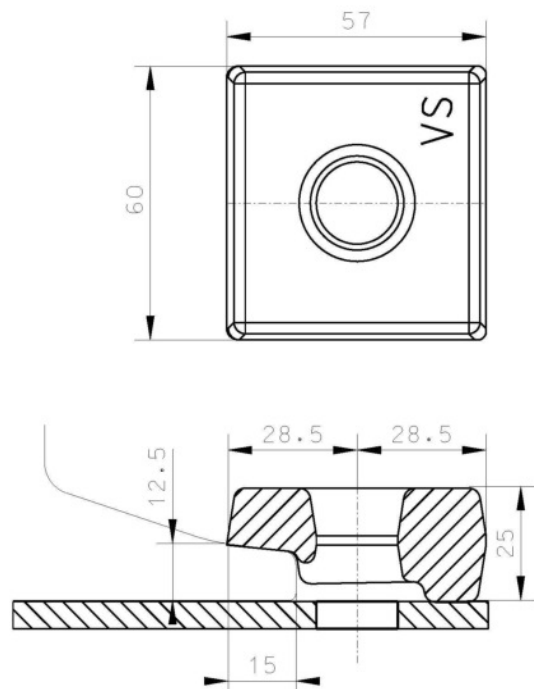
## Clip VS

- Made of forged steel S355
- bore optional Ø 18mm or 22mm
- suitable for rails  
 S33, S41, S49, UIC54, S54,  
 UIC60, A55 – A100 etc.

maximum clamping force\*:

bolt Ø	grade	clamping force
M16	4.6	14 kN
	8.8	38 kN
M20	4.6	22 kN
	8.8	60 kN

\*The forces are only orientation values, valid with faultless fixing of anchor to substructure. They shall not replace a structural certificate.



**We would be pleased to make you an individual offer.**

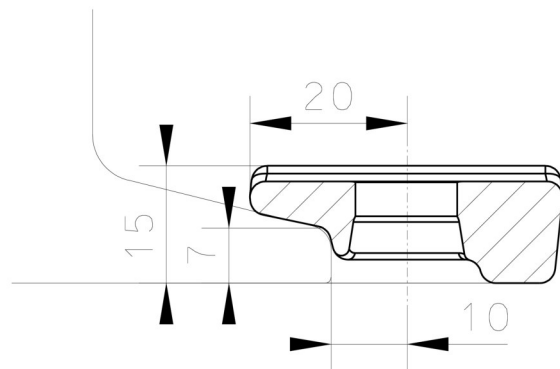
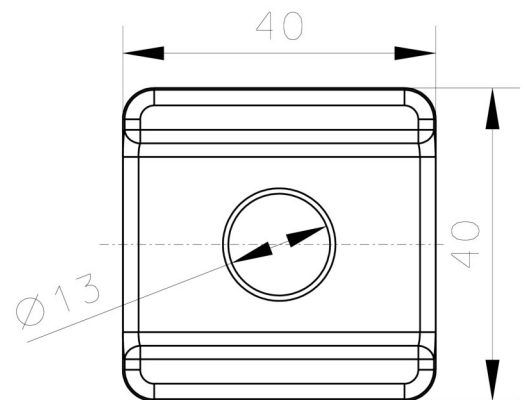
## Clip VS mini

- Made of forged steel S355
- bore Ø 13mm and 17mm
- suitable for light rails i.e. S10, S14, S18, S20, S24, S30, A45 etc.

maximum clamping force\*:

bolt Ø	grade	clamping force
M12	4.6	6.7 kN
	8.8	18 kN
M16	4.6	14 kN
	8.8	38 kN

\*The forces are only orientation values, valid with faultless fixing of anchor to substructure. They shall not replace a structural certificate.



**We would be pleased to make you an individual offer.**